

# UPOS-211 Series

**15" Ubiquitous POS Terminal**  
UPOS-211D with Intel® BayTrail J1900  
UPOS-211F with Intel® Skylake Core i3/i5/ Celeron  
UPOS-211K with Intel® Alder Lake N305/N97/N50



DeviceOn/iService

## Features

- Equipped with DeviceOn/ iService software for remote device management
- 15" TFT LCD (LED backlight) with 5 resistive wires or PCAP touch
- Built in Intel Baytrail J1900, Skylake-N or Alder Lake-N
- Stylish design with dual hinge, thinner boarder, slim screen
- Clear cable management
- Low power & fanless operation without heat ventilation holes
- Easy access to key components
- Easy peripheral mount design integrated
- Device options: 2nd display, MSR, VFD, RFID, barcode scanner



## Introduction

The UPOS-211 is an All-in-One POS system with a 15" true-flat PCAP touch or 5 wire resistive touch. It is equipped with an Intel Baytrail, Skylake-U, or Alder Lake-N processor, incorporates a fanless design with quiet operation, and energy saving. It features a dual hinge design which provides the smallest footprint to save counter space and reduce shipment freight. It also provides easy access to key components. The UPOS-211 supports both Windows and Android OS, and the front panel is IP65 design to be water and dust resistant. It is specifically designed for mini market stored, food merchandise, convenience store, and specialty stores. The UPOS-211 is competitively priced and energy efficient platform built for retail and hospitality.

Moreover, UPOS-211 is equipped with Advantech's DeviceOn/iService software, which is a next-generation unified device management solution based on the WISE-DeviceOn platform. With support for batch operations and multi-device control, DeviceOn/iService enables easy device configuration and deployment for convenient remote device management.

## Features Highlight



Foldable design with dual hinges



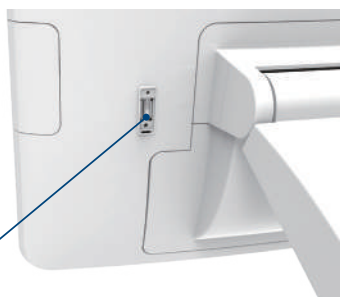
Tilt motion, 90° freestyle rotation

- 1 x USB port on rear with rubber cover
- Screwed bracket design for USB port to ensure data security (optional)



Easy access USB port

Easy access to USB port



Wall mount via VESA mount kit

## Specifications

Model	UPOS-211D	UPOS-211F	UPOS-211K
Processor	Intel® Bay Trail Quad Core J1900	Intel® Skylake-U, i5-6300U/ CORE i3-6100U/Celeron 3955U	Intel® Alder Lake-N N97/N50/Core i3-N305
Memory	Technology	DDR3L-1333	DDR4-2133
	Max. capacity	8G	16G
	Socket	1 x 204-pin SO-DIMM	1 x 260-pin SO-DIMM
Storage	1 x 2.5" SATA HDD/SSD connector, SATA2.0 (3.0Gb/S)	1 x 2.5" SATA HDD/SSD connector, SATA3.0 (6.0Gb/S)	1 x 2.5" SATA HDD/SSD connector, SATA3.0 (6.0Gb/S)
Panel	15" TFT LCD display (1024 x 768), 300 cd/m <sup>2</sup>		
Touch Screen	15" analog resistive 5-wires (res. flat glass) / Projected Capacitive Touch Panel (PCAP flat glass) <sup>*1</sup>		Projected Capacitive Touch Panel (PCAP flat glass)
Bus Expansion	1 x Mini PCIe (for Wi-Fi or 3G), shared with mini SATA connector		1 x M.2 2230 E-Key for Wi-Fi & BT combo 1 x M.2 M-Key 2280 for SSD
Audio	1 x 2 W Speaker <sup>*2</sup>		
Power Supply	60 W power adapter		65 W power adapter
Serial Port	External: 4 x COM COM1/COM2 RJ-48 COM5/COM6 DB9 Internal: 2 x COM COM3 for 5 W res. touch COM4 for VFD <sup>*3</sup>		2 x COM DB9 <sup>*4</sup>
USB Port	External: 4 x USB 2.0 1 x USB 3.0 Internal: 1 x USB 2.0 for PCAP Touch	External: 3 x USB 2.0 2 x USB 3.0 Internal: 1 x USB 2.0 for PCAP Touch	External: 3 x USB 2.0 2 x USB 3.2 USB C-type 1 for USB 3.2+Display USB C-type 2 for USB 3.2 USB C-type 3 for DC IN Internal: 1 x USB 2.0 for PCAP touch 1 x USB 2.0 for MSR/RFID
Ethernet	1 x RJ-45 1G LAN Ethernet		2 x RJ-45 2.5G LAN Ethernet
Display Output	1 x VGA, 1 x DP		1 x USB-C type for 2nd display
Cash Drawer	1 x RJ-11,12V		1 x RJ-11,12V <sup>*5</sup>
PS2	1 x PS2 (for MSR only)		N/A
DC-In	12 V		20 V
IP65	IP65 front panel protection		
Dimension (W x H x D)	354 x 327 x 237 mm, Stand: 237 x 200 mm		
Weight	5.2 kg (net weight) / 6.9 kg (gross weight)		
Operating Temp.	0 ~ 40°C		
Relative Humidity	95%RH Max @ 40°C non-condensing		
Shock	10G peak acceleration (11ms duration)		
Vibration	5 ~ 500Hz 0.5Grms, random		
EMC / Safety	CE, CCC, UL, FCC, CB/LVD, VCCI, BSMI, UKCA		
OS Support	POSReady 7, Windows 7 Pro, Windows 8.1 Pro (64-bit), Windows 10 IoT Enterprise, Linux Kernel 3.13 or above		Win 10 IoT/Win 11 GAC/Linux <sup>*6</sup>

\*1. Light transmission: Res. touch 80% ±5% / Pcap touch 85% ±3%

\*2. Mic-in & Line-out is optional by project request with MOQ 200 limitation.

\*3. COM1/COM2/COM5 support 5V/12V by project request with MOQ 30 limitation.

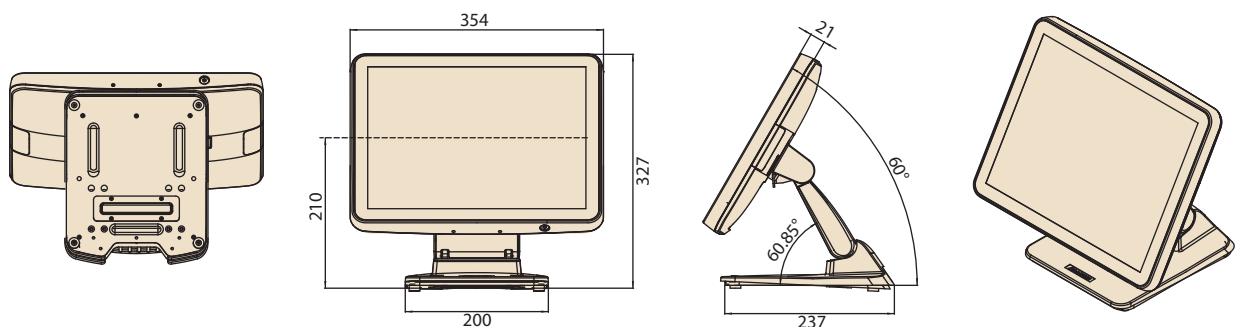
\*4. COM1 support 5V/12V by project request with MOQ 30 limitation.

\*5. RJ-11 support 20V by project request with MOQ 200 limitation.

\*6. Support multiple customized OS with MOQ 200 limitation.

## Dimensions

Unit: mm



### Ordering Information

Part Number	Description
UPOS-211KP-BN900	15", PCAP, N97, 8G RAM, black, w/o stand
UPOS-211KP-BN940	15", PCAP, N97, 8G RAM, black, with stand
UPOS-211KP-WN940	15", PCAP, N97, 8G RAM, white, with stand
UPOS-211KP-BI340	15", PCAP, N305, 8G RAM, black, with stand
UPOS-211DP-BST40	15", PCAP, J1900, 4G RAM, 4COM, 5USB, cable, black
UPOS-211FP-BST40	15", PCAP, i3-6100U, 4G RAM, 4COM, 5USB, cable, black

### POS Accessory

Part Number	Description
<b>UPOS-211D/F</b>	
96CB-POWER-B-1.8MA	Power cord (China), 3P 1.8M, BK(CCC)
17AP164900518011	Power cord CEE 7/16+C13 L1.8M (CE)
1700013977	Power cord 10A 250V 3P 180/90 CCC 200cm (CCC)
1702002600	Power cord 3P UL/CSA(USA) 125V 10A 1.83M 180D
1700020098	Power cord 3P 10A 250V 183CM (Australian)
1702002605	Power cord 2P FRANCE 10A/16A 220V 1.83M 90D (EU)
1700001714	Power cord BSMI 3P 7A 125V 18AWG 180CM (BSMI)
1700000237	Power cord 3P PSE 12A 125V 1.83M (Japan)
1700018704	Power cord BSI 2P 10A 250V 180cm (UK)
1700025855-01	Power cord ISI 3P 10A 250V 183cm (INDIA)
URP-PT800-B401	80mm Thermal Printer, USB+Serial+Ethernet,bl
<b>UPOS-211K</b>	
EWM-W159M201E	new M.2 2230 WiFi5+BT5.0 module
96CB-POWER-B-1.8MB	Power cable 3P, CCC, 10A, 250V, 180 cm (China)
1700001524	Power cable 3P, UL, 10A, 125V, 180 cm (US, TW)
170203183C	Power cable 3P, 10A, 250V, 183 cm (EU)
1700018553	Power cable 3P, SAA, 2.5A, 250V, 183 cm (Australia)
1700025113-11	Power cable, ISI, 3P, 2.5A, 250V, 180 cm (India)
1700018409	Power cable, KCC, 2P, 2.5A, 250V, 183 cm (Korea,Russia)
170203180A	Power cable, BSI, 3P, 2.5A, 250V, 183 cm (UK)
1700008921	Power cable, PSE, 3P, 7A, 125V, 180 cm (Japan)

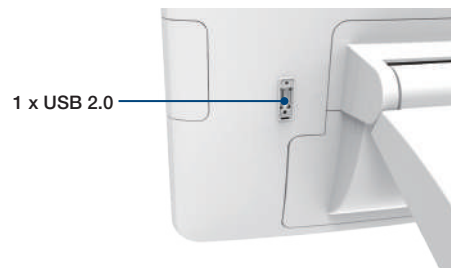
### POS Peripherals

Part Number	Description
1960080774N003	Vesa bracket for UPOS-211 powder black c
1960080774N004	Vesa bracket for UPOS-211 powder white c
1960078502N000	Wall mount bracket for wall (should order together)
1960078503N000	Wall mount bracket for unit (should order together)
UPOS-P07-B120	UPOS-211 pole stand for 2nd display
<b>UPOS-211D/F</b>	
UPOS-M10G-BST10	10.1" monitor, no touch, rear mount for UPOS-211, black
UPOS-M15G-AST00	15" 4:3 monitor glass HDMI VGA, black, with cables
UPOS-M15P-AST02	15" 4:3 monitor P-touch, black, with USB VGA cable
USC-P05-B110	2D barcode scanner, black
UPOS-P03-B116	RFID for UPOS-211, left, black
UPOS-P03-B114	MSR+Fingerprint for UPOS-211, black
USC-P01-B110	VFD, rear mount, black
UPOS-P03-B110	MSR, PS2 for UPOS-211, black
<b>UPOS-211K</b>	
USC-M10G	10.1" monitor,glass,black,rear mount,Type-C cable
USC-M10P	10.1" monitor,P-Cap,black,rear mount,Type-C cable
UPOS-M15G	15" 4:3 monitor glass USB type-C with cable
UPOS-M15P	15" 4:3 monitor PCAP USB type-C with cable
USC-P05-B201	2D barcode scanner, black for UPOS-211 series
USC-P03-B201	RFID scanner for UPOS-211 series
USC-P03-B202	Finger print reader for UPOS-211 series
USC-P01-B201	VFD,English,2*20,rear mount, black, USB
USC-P03-B203	MSR007GH, pin USB, black, slim, for UPOS-211 series
USC-P06-H02	USC-300 series UP37 extension hub, 4C6U

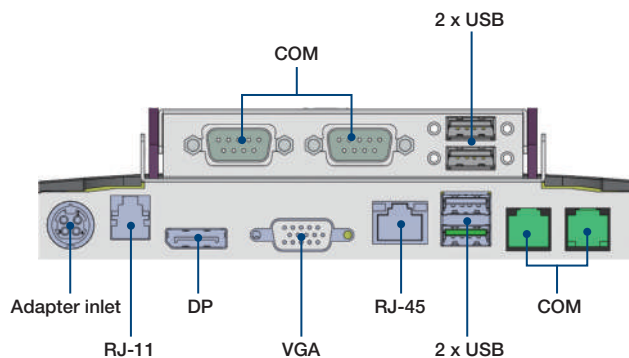
### Operating system

Part Number	Description
207 OS1	Image WIN10 IOT UPOS-211K V1.00
207 OS2	Image WIN11 GAC UPOS-211K V1.00
207 OS3	Image Linux UPOS-211K V1.00
2070015279	Image WIN10 LTSB-6 UPOS-211D V1.00 7MUI x64
2070015299	Image UPOS-211D LUBuntu1604 x64 ENG OS V1.0.1
20708WX6HS0002	Image WIN10 LTSB-6-U UPOS-211F(15) V1.00 7MUI x64

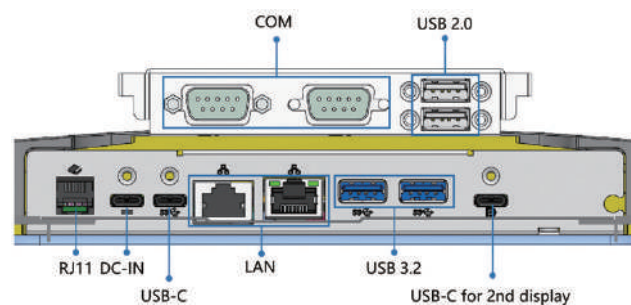
### I/O Interface



### UPOS-210D/UPOS-211F



### UPOS-211K



# DeviceOn/iService

## Unified Remote Device Management Software



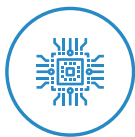
### Features

- Supports Advantech devices equipped with Windows, Android, and Linux OS
- Flexible device, location, user, and permissions management
- Enables remote monitoring and control of hardware, software, and peripherals
- Supports over-the-air (OTA) firmware and software updates
- Ensures quick, easy, and secure device onboarding
- RESTful APIs for third-party system integration

### Introduction

Advantech's DeviceOn/iService is a next-generation unified device management solution based on the WISE-DeviceOn platform. Designed to enable centralized monitoring and remote management, DeviceOn/iService supports Advantech devices equipped with Windows, Linux, or Android operating systems. The software also supports the management of applications and integrated peripherals, such as a barcode scanner, card reader, camera, and printer. Users can remotely access and control connected devices, take screenshots, rollout OTA upgrades, and use remote desktop capabilities for troubleshooting from any location at any time. Moreover, DeviceOn/iService supports batch operations to facilitate the management of multiple devices simultaneously for easy and convenient device configuration and deployment.

### Total Management



#### Devices & Hardware

- Windows, Linux, Android
- Hardware, storage, battery



#### Software & Peripherals

- Software monitoring & access
- Screens, USB devices, printers



#### Open for Expansion

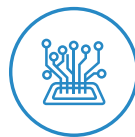
- Peripheral integration
- Open APIs for integration

### Remote Access



#### Real-Time Monitoring

- Connection/hardware status
- Software/peripheral status
- Failure notifications



#### Remote Controls

- Power controls
- Audio, backlight controls
- Software controls



#### Troubleshooting

- Screenshots
- Remote desktop support

### Operational Efficiency



#### OTA updates

- System/software updates
- File repository management
- App store



#### Batch Controls

- 1-to-many batch reboot, etc.
- Time-saving tasks



#### Setup Booster

- Software/peripheral watchlist
- Roles, rule templates

Note: Some functions may vary according to the product

### System Architecture

